

Side pannier luggage rack

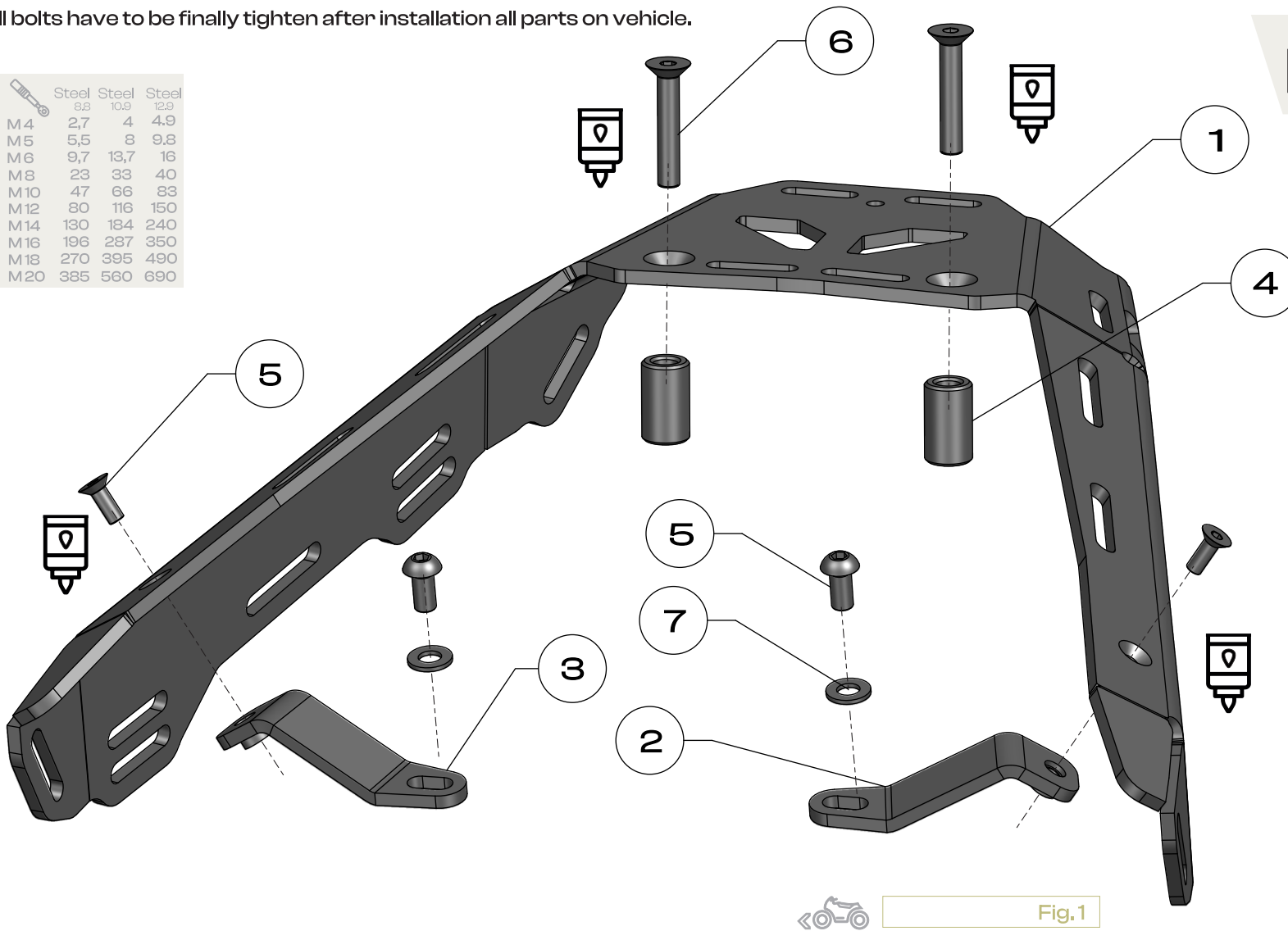
Kove 800 X Rally

ID:3120693

Read before installation

All bolts have to be finally tighten after installation all parts on vehicle.

	Steel 8.8	Steel 10.9	Steel 12.9
M4	2,7	4	4,9
M5	5,5	8	9,8
M6	9,7	13,7	16
M8	23	33	40
M10	47	66	83
M12	80	116	150
M14	130	184	240
M16	196	287	350
M18	270	395	490
M20	385	560	690



- 1** Luggage plate 1x
- 2** Left bracket 1x
- 3** Right bracket 1x
- 4** Spacer sleeve 2x
D17xd9xH29
- 5** Bolt 2x
M6x16-DIN 7991
- 6** Bolt 2x
M8x16-DIN 7380
- 7** Bolt 2x
M8x45-DIN 7991
- 8** Washer 2x
M8-DIN 7349



Fig.1



one person



use a medium-strength



tighten with torque

OEM

Original Equipment Manufacturer

Yoikk EXP

assembly instructions

yokkexp.com



EXPLORE POSSIBILITIES

!!! Initially, attach the screws loosely.

After assembling everything together, tighten them with the appropriate force.

1. Unscrew the screws and remove the seat and OEM rack. **[Fig. 1]**
2. Insert the spacer sleeve **[4]** into the mounting point, then install and lightly fasten the left and right brackets **[2]** and **[3]** using bolts **[6]** and washer **[8]**. Use a medium-strength adhesive. **[Fig. 2].**
3. Install the luggage plate **[1]** and fasten it with bolts **[7]** from the rear through the sleeves, and with bolts **[5]** from the front. Use a medium-strength adhesive. **[Fig. 3].**
4. Align the assembly with the motorcycle's axis, optionally check the fit with the seat installed, and tighten all bolts to the specified torque.

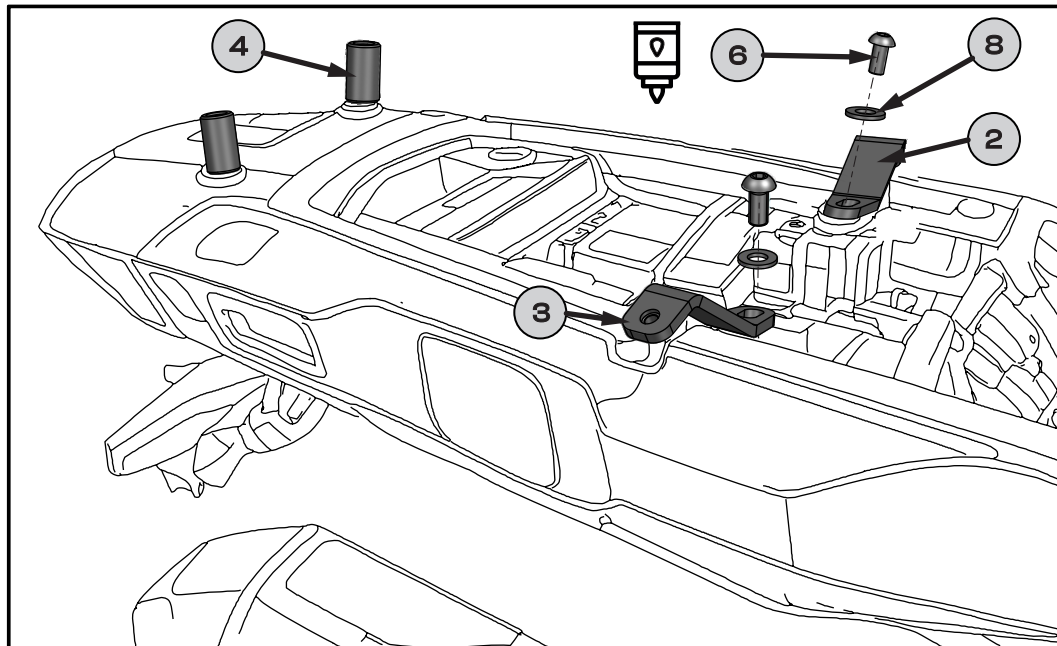


Fig. 2

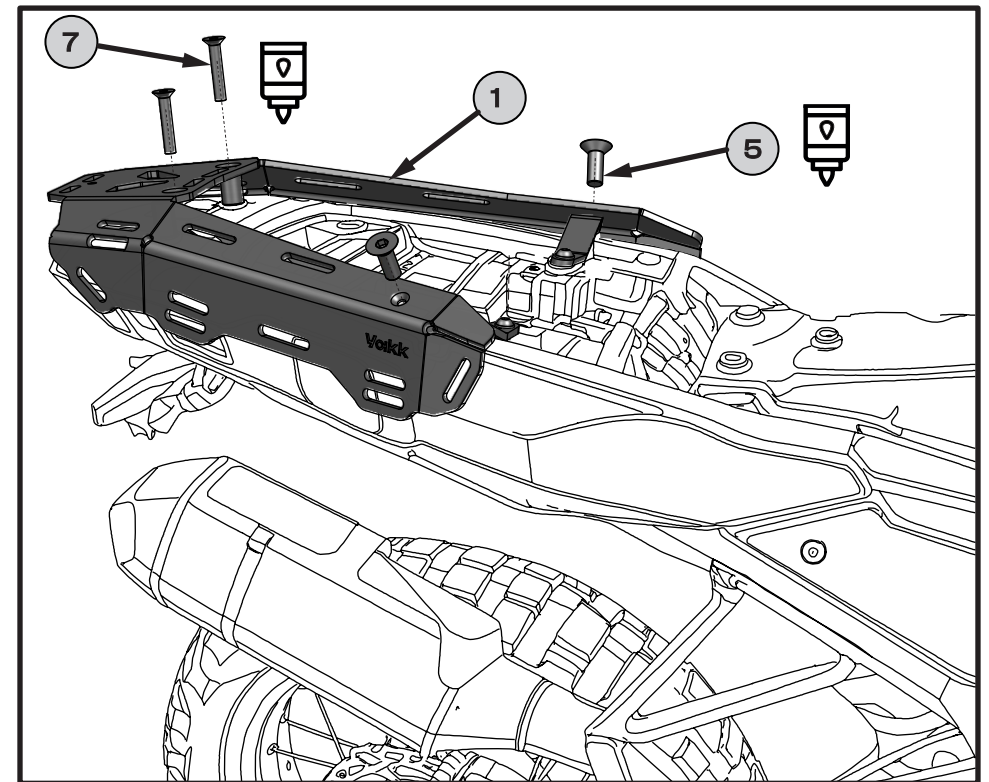
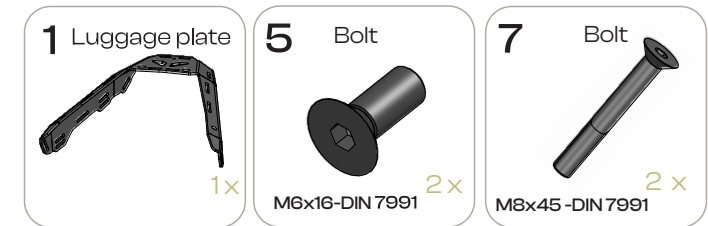


Fig. 3

